

Complete Rubber Pty Ltd

GROMMETS

Blanking Grommets

Wiring Grommets

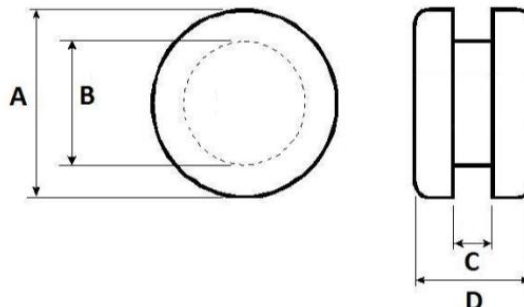


www.completerubber.com.au

COMPLETE RUBBER Pty. Ltd.

BLANKING GROMMETS

PART NUMBER	MATERIAL	A	B	C	D
GR10	EPDM	9.50	6.40	1.60	4.80
GR11	EPDM	11.00	8.00	1.60	4.80
GR12	EPDM	16.00	7.00	12.50	1.60
GR12-1	EPDM	REFER DRAWING			
GR12-3	EPDM	19.05	9.53	1.59	7.93
GR12-4	EPDM	REFER DRAWING			
GR12W	EPDM	REFER DRAWING			
GR13	EPDM	16.00	11.00	1.60	6.40
GR14	EPDM	17.50	12.70	1.60	6.40
GR15	EPDM	19.00	14.50	1.60	6.40
GR15-1	EPDM	REFER DRAWING			
GR16	EPDM	20.60	16.00	1.60	6.40
GR17	EPDM	20.60	17.50	1.60	7.20
GR18	EPDM	28.60	22.00	1.60	6.40
GR18-1	EPDM	28.50	22.00	5.60	11.00
GR19	SBR	REFER DRAWING			
GR19-2S	SILICONE	REFER DRAWING			
GR20	EPDM	31.80	25.00	1.60	6.40
GR20-SE	EPDM	31.80	25.40	1.60	8.00
GR21	EPDM	33.00	27.00	1.60	8.00
GR22	EPDM	31.80	38.10	1.60	8.00
GR23	EPDM	58.00	36.50	1.60	7.20
GR23-1	SILICONE	REFER DRAWING			
GR24	EPDM	44.50	38.10	1.60	8.00
GR24-1	EPDM	57.00	42.00	1.60	6.00
GR25	EPDM	54.00	47.60	1.20	6.00
GR26	EPDM	59.00	50.50	1.50	7.50
GR27	EPDM	REFER DRAWINGS			
GR28	EPDM	41.00	35.00	1.50	8.00
GR29	EPDM	REFER DRAWING			
GR30	EPDM	REFER DRAWING			
GR31	EPDM	REFER DRAWING			
GR32	EPDM	REFER DRAWING			
GR33	EPDM	REFER DRAWING			
GR34	EPDM	REFER DRAWING			
GR36	EPDM	REFER DRAWING			
GR39	EPDM	REFER DRAWING			



COMPLETE RUBBER Pty. Ltd.

WIRING GROMMETS

PART NUMBER	MATERIAL	A	B	C	D	E
CG01	EPDM	3.20	12.70	1.60	4.80	9.50
CG02	EPDM	22.30	41.30	6.40	16.00	31.80
CG02-1	NEOPRENE	22.30	41.30	6.40	16.00	31.80
CG03	EPDM	17.70	52.50	3.20	9.00	43.00
CG04	EPDM	REFER DRAWING				
CG05	EPDM	8.00	17.00	4.00	7.00	12.50
CG06	EPDM	33.00	57.00	5.20	15.50	54.00
CG07	EPDM	8.00	25.00	1.50	14.00	19.00
CG08	EPDM	12.50	38.00	4.50	9.50	31.50
CG09	EPDM	2.30	4.70	1.40	4.80	6.40
CG10	NATURAL	6.60	12.70	3.20	6.40	9.10
CG11	VITON	12.70	27.00	0.80	8.00	19.00
CG12	EPDM	REFER DRAWING				
CG14	EPDM	8.00	16.00	1.60	6.40	10.30
CG14S	SILICONE	8.00	16.00	1.60	6.40	10.30
CG15	EPDM	3.20	11.00	0.80	6.40	8.70
CG16	EPDM	19.00	31.80	2.00	8.00	27.00
CG17	EPDM	9.50	17.50	2.00	8.00	12.70
CG19	EPDM	6.40	20.60	1.60	7.20	16.70
CG20	EPDM	8.00	15.00	1.60	8.00	12.00
CG21	EPDM	8.00	17.50	2.00	7.20	12.70
CG22	EPDM	8.70	17.50	6.40	11.00	12.70
CG23	EPDM	16.00	29.30	3.20	9.50	22.30
CG24	EPDM	11.00	33.00	1.60	8.00	27.00
CG25	EPDM	6.40	14.30	0.80	6.40	9.50
CG26	EPDM	12.70	21.40	2.00	7.20	16.70
CG27-B	EPDM	5.50	11.00	0.80	4.00	8.00
CG28	EPDM	5.50	11.00	0.80	5.50	8.00
CG29	EPDM	3.20	12.70	1.60	6.40	9.50
CG30	EPDM	8.00	19.80	4.00	8.00	11.00
CG31-B	EPDM	9.50	17.50	3.20	6.40	11.00
CG32-B	EPDM	8.00	15.00	3.20	8.00	11.90
CG33	EPDM	4.80	9.50	1.20	6.40	6.40
CG33-S	SILICONE	4.80	9.50	1.20	6.40	6.40
CG34	EPDM	9.50	25.40	1.60	8.00	16.00
CG35	EPDM	6.70	16.00	1.60	8.00	11.90
CG36	EPDM	9.50	20.60	9.50	14.30	14.30
CG37	EPDM	6.00	12.00	2.00	6.00	9.00
CG38	EPDM	8.00	17.00	2.80	9.00	12.10
CG39	EPDM	9.50	16.00	1.60	6.40	12.70
CG40	EPDM	7.20	15.00	1.60	8.00	12.70
CG41	EPDM	9.50	17.50	1.20	7.20	14.30
CG42	EPDM	22.30	31.80	1.20	7.50	25.40
CG43	EPDM	11.70	20.00	3.00	9.30	15.80
CG44	EPDM	9.50	17.50	3.20	9.50	12.70



51 Sparks Avenue Fairfield VIC 3078
 Ph 03 9482 7222
 Fax 03 9482 7522
Sales@completerubber.com.au



CG45	EPDM	9.50	20.60	1.60	7.20	16.70
CG46	EPDM	11.00	25.40	1.60	8.00	19.00
CG47	EPDM	12.70	28.60	1.60	6.40	22.30
CG47-1	EPDM	12.7	28.60	1.60	11.00	22.30
CG48	EPDM	16.00	29.30	2.40	9.50	22.30
CG49	EPDM	19.00	35.00	1.60	8.00	24.00
CG50	EPDM	6.40	14.30	3.20	10.30	8.00
CG51	EPDM	8.00	20.60	4.80	11.00	13.50
CG52	EPDM	24.00	57.00	2.00	11.00	42.00
CG53	EPDM	REFER DRAWING				
CG54	EPDM	9.20	37.50	1.00	7.00	29.00
CG57	EPDM	7.50	35.00	6.20	13.00	25.40
CG57-2	EPDM	14.30	27.00	6.40	12.70	20.60
CG58-2	EPDM	28.00	45.00	1.60	8.00	38.00
CG59	EPDM	9.50	17.00	1.20	7.50	13.00
CG60	EPDM	16.00	29.50	2.00	6.50	25.50
CG61	EPDM	8.50	18.50	1.60	8.00	13.50
CG62	EPDM	38.00	54.00	1.60	11.00	44.50
CG62-1	EPDM	38.00	54.00	3.20	13.00	44.00
CG64	EPDM	9.00	16.50	4.00	9.00	13.50
CG64-1	NON-CONDUCTIVE EPDM	9.00	16.50	4.00	9.00	13.50
CG65	EPDM	9.00	17.00	6.00	11.00	13.50
CG66	EPDM	REFER DRAWING				
CG67	EPDM	16.00	29.40	2.40	7.20	25.40
CG68	EPDM	19.50	32.00	5.60	15.50	26.00
CG69	EPDM	9.50	17.50	1.60	8.50	12.50
CG70	EPDM	16.00	28.50	3.20	9.50	22.00
CG71	EPDM	6.50	27.00	1.60	6.50	20.50
CG71-1	EPDM	10.00	27.00	1.60	6.50	20.50
CG72	EPDM	13.00	38.00	1.60	6.50	32.00
CG73	EPDM	22.00	41.50	1.60	11.00	32.00
CG74	EPDM	8.00	13.50	1.60	5.00	11.00
CG76	EPDM	6.40	17.50	1.60	7.20	12.70
CG78	EPDM	9.50	25.50	1.60	9.50	19.00
CG80	SILICONE	REFER DRAWING				
CG81	EPDM	6.10	13.00	1.30	9.00	9.00
CG82	EPDM	7.14	15.87	1.60	6.40	11.11
CG83	EPDM	9.53	18.26	1.31	7.93	11.11
CG84	EPDM	19.05	34.93	2.38	8.73	25.40
CG85	EPDM	4.50	20.00	1.00	7.00	7.50
CG86	EPDM	9.50	32.00	1.60	6.50	25.50
CG88	EPDM	19.00	36.50	0.80	9.50	28.00
CG89	EPDM	9.50	20.50	1.60	7.50	16.00
CG90	EPDM	REFER DRAWING				
CG91-1	EPDM	REFER DRAWING				
CG92	EPDM	REFER DRAWING				
CG94	EPDM	19.00	33.30	1.60	8.00	27.00
CG95	EPDM	11.00	17.50	1.20	6.40	12.70



51 Sparks Avenue Fairfield VIC 3078
 Ph 03 9482 7222
 Fax 03 9482 7522
 Sales@completerubber.com.au



CG96	EPDM	7.20	17.50	2.00	8.70	13.50
CG98	EPDM	7.80	16.70	2.00	9.00	10.80
CG99	EPDM	REFER DRAWING				
CG100	EPDM	6.40	12.70	2.00	8.00	9.50
CG101	NEOPRENE	48.00	68.00	3.00	10.60	60.00
CG102	NITRILE	31.75	63.50	3.17	19.05	50.80
CG103	EPDM	29.00	46.00	1.60	12.70	34.10
CG104	EPDM	12.70	23.81	3.18	7.15	15.88
CG105	EPDM	6.35	14.29	3.18	7.15	9.53
CG106	EPDM	7.94	14.29	3.18	7.15	11.11
CG107	EPDM	9.53	19.05	3.18	7.15	12.70
CG108	EPDM	REFER DRAWING				
CG109	EPDM	40.00	48.00	4.20	14.20	44.00
CG110	EPDM	24.00	40.00	4.00	14.00	29.00
CG111	EPDM	9.50	25.40	3.20	11.00	19.00
CG112	EPDM	38.10	57.10	1.20	9.50	44.50
CG113	EPDM	30.00	44.50	1.60	8.00	38.10
CG114	SILICONE	50.00	83.50	1.60	16.50	63.50
CG115	EPDM	REFER DRAWING				
CG116	EPDM	8.50	17.50	1.60	6.40	12.70
CG117	EPDM	28.00	44.00	1.60	9.00	34.60
CG118	SILICONE	12.50	21.00	1.20	5.00	14.50
CG119	SILICONE	33.50	46.50	2.50	10.00	42.50
CG120	EPDM	2.50	12.00	1.60	6.00	6.40
CG121	EPDM	25.40	38.10	3.10	9.50	31.80
CG122	EPDM	25.00	41.00	1.50	8.00	35.00
CG123	EPDM	25.00	50.00	6.00	10.00	32.00
CG124	EPDM	13.00	25.50	2.00	9.50	19.00
CG125	EPDM	7.14	15.87	4.62	7.14	11.11
CG126	EPDM	6.50	13.00	1.60	16.00	8.00
CG127	EPDM	9.20	16.70	4.00	8.50	13.50
CG128	NATURAL	REFER DRAWING				
CG129	EPDM	91.00	120.00	7.00	15.00	96.00
CG130	EPDM	19.00	40.00	2.80	9.50	25.00
CG131	EPDM	9.50	25.40	3.20	12.50	16.00
CG132	EPDM	5.00	11.00	1.60	4.80	8.00
CG133	EPDM	4.40	15.90	1.60	7.90	12.70
CG134	EPDM	11.00	25.00	6.00	11.00	19.00
CG135	EPDM	9.50	25.00	4.80	11.00	17.50
CG136	EPDM	10.00	25.40	1.50	6.35	19.05
CG137	EPDM	12.50	24.00	4.80	9.00	20.00
CG140	EPDM	REFER DRAWING				
CG141	EPDM	REFER DRAWING				
CG142	EPDM	31.80	47.60	1.20	8.00	38.10

Whilst every effort has been made to supply accurate information this Specification should be used as a guide only. Complete Rubber reserves the right To make specification changes without notice or without incurring liability.

