



Automotive

Door seals

Fender Rubber

Hose

Hose Merchandisers

Tubing

Bracket Straps

Tank Straps

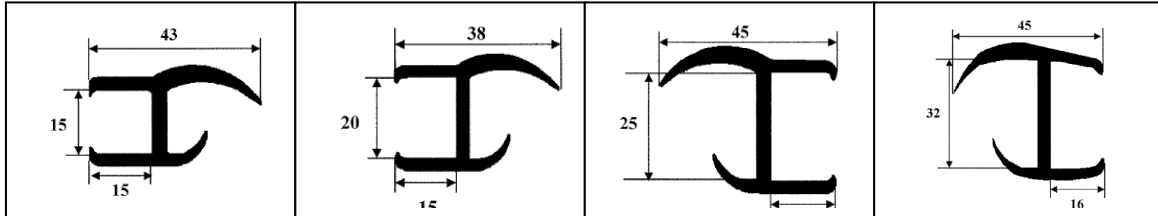
Wheel Arch Flares

Wheel Chocks

Rubber Hoist Pads

www.completerubber.com.au

DOOR SEALS

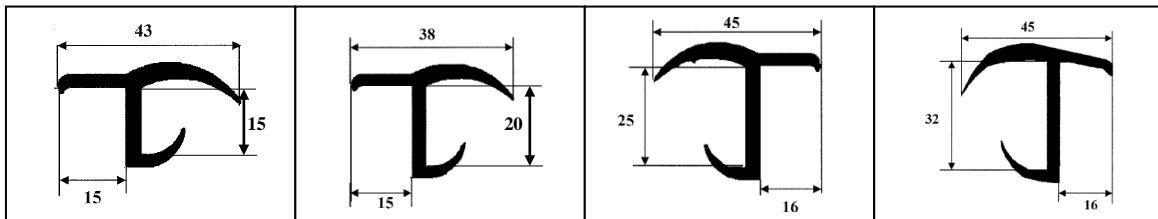


CS15H

CS20H

CS25H

CS32H



CS15J

CS20J

CS25J

CS32J

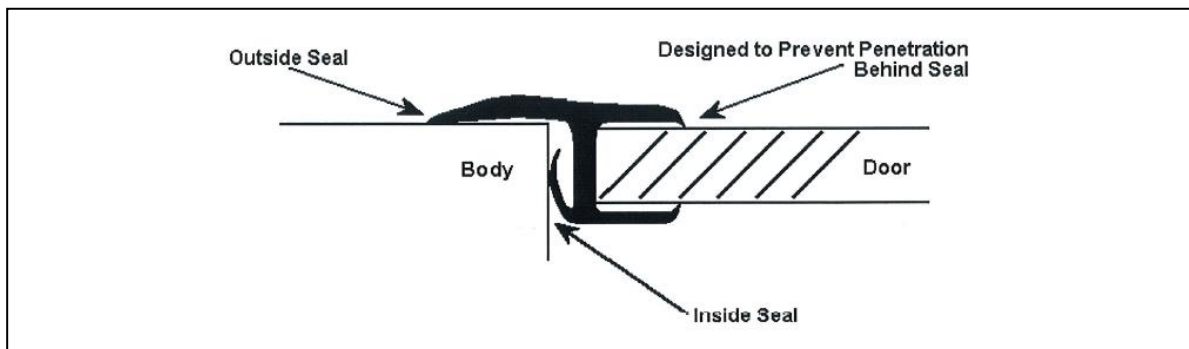
The rubber seals are made from a unique composition of E.P.D.M rubber, which has taken years to develop.

Temperature Resistance

Capable of	+150°C	for 14 continuous days
Or	+120°C	Continuous
And	-50°C	Continuous

Chemical Resistance

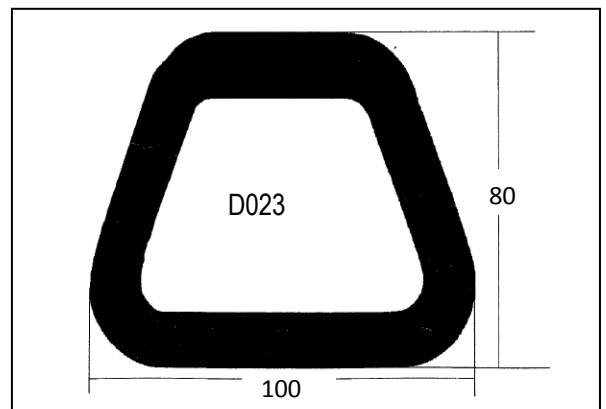
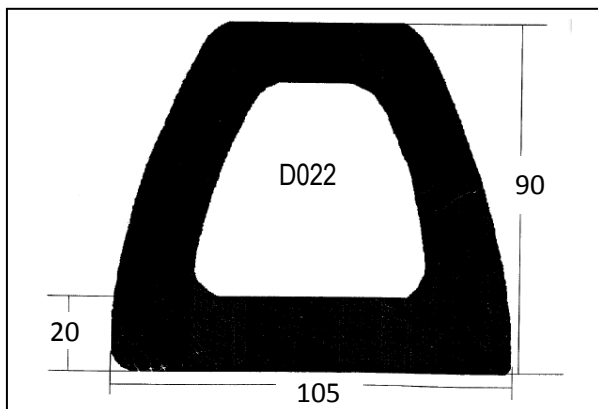
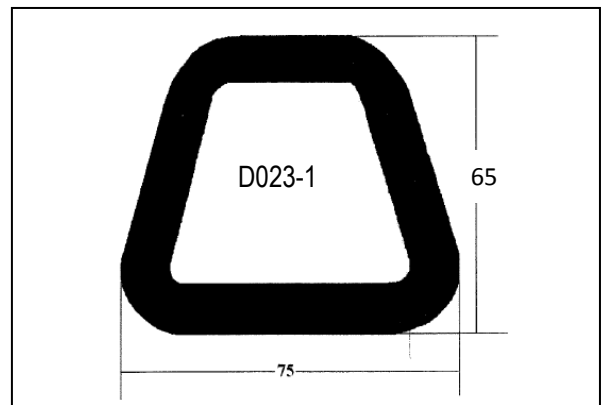
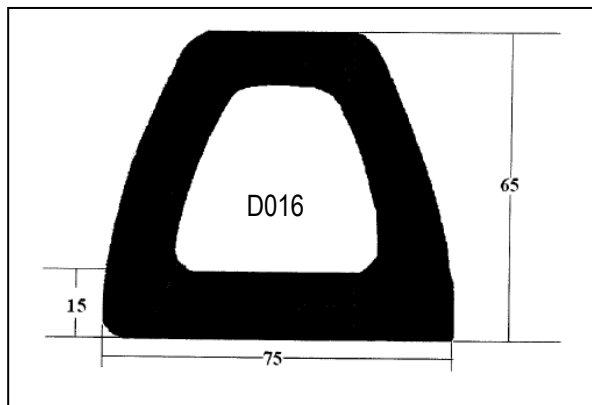
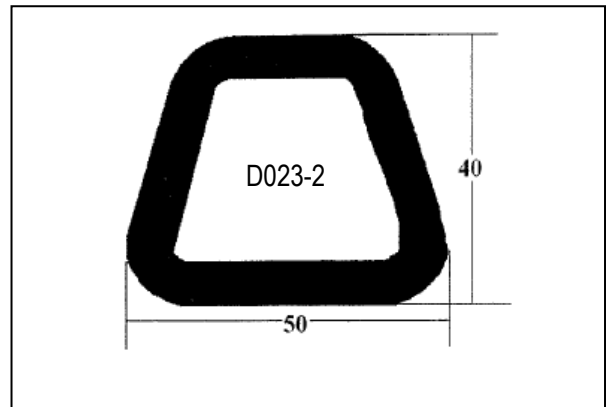
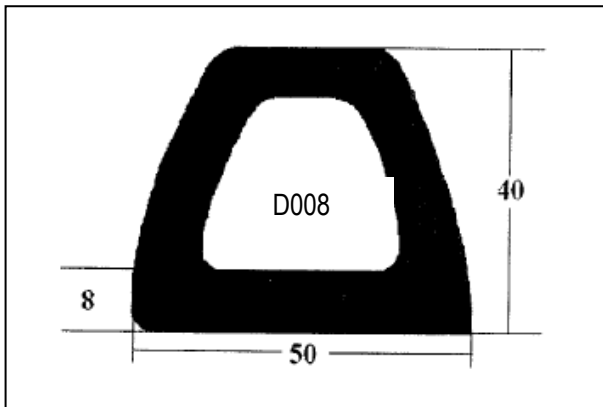
Excellent chemical resistance, including caustics and hydrochloric acid



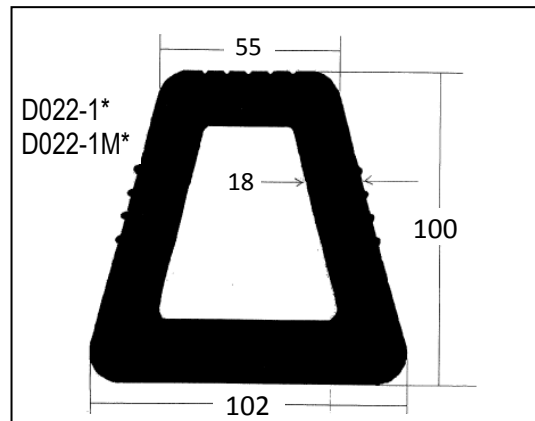
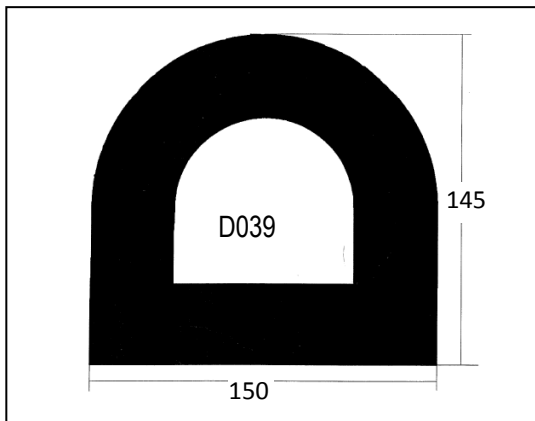
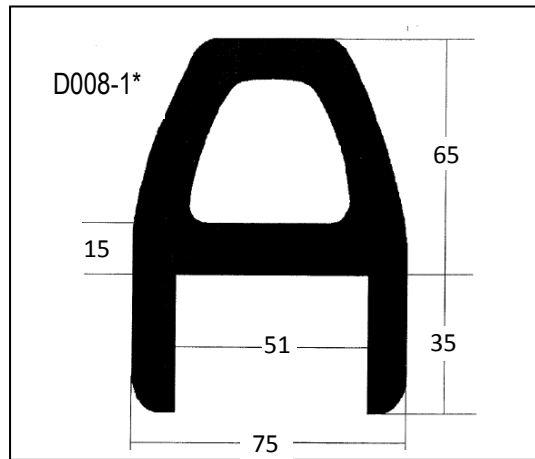
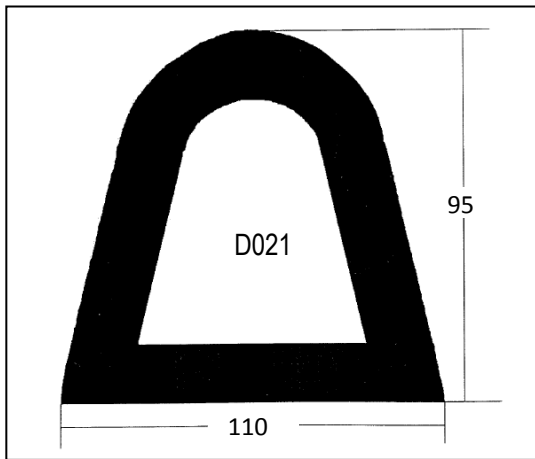
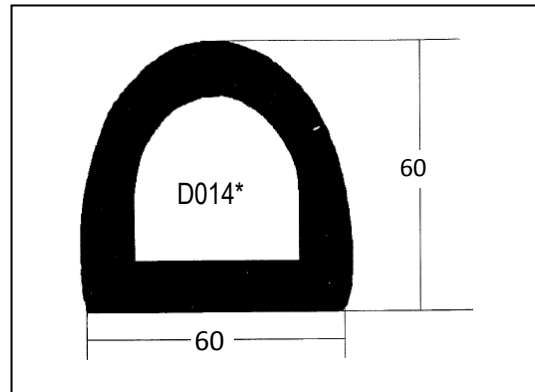
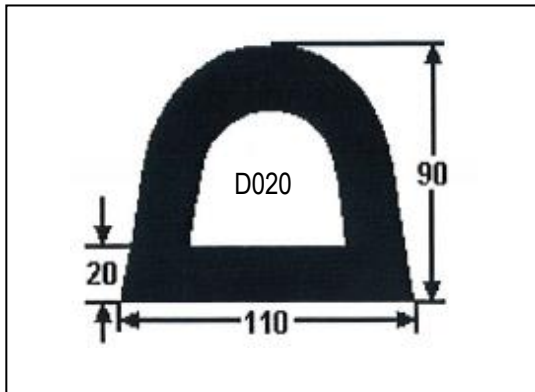
FENDER RUBBER

Material: EPDM blended compound extremely durable in hardwearing applications

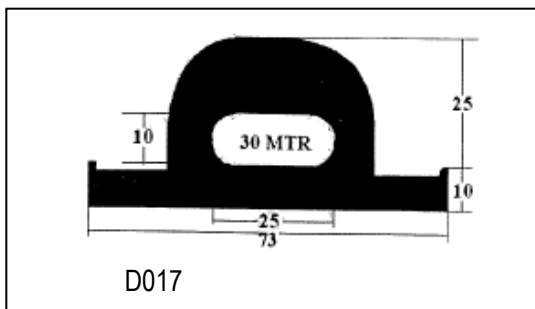
Size: Standard stock lengths are 2 metres but longer lengths can be supplied. We can also cut to specific lengths and drill holes for easy installation.



FENDER RUBBER



D022-1 – supplied in 4m lengths
 D022-1M – supplied in 1.2m lengths



Please note
 *products made to order

HOSE

Fuel Injection Hose

Fuel Injection Hose is designed to run at higher pressures and temperatures than normal systems. The inner tube is made of NBC/PVC with an outer cover of CSM and reinforcing made of Kuralon. The hose conforms to Specs. SAE J30 R7 and GME 08001E.

Working Pressure: 87 Bar
600 Mpa

Part no.	I.D	Wall Thickness	O.D	Bend Radius	Weight	Length
H5250075/7 m	7.5 mm	3.5 mm	14.5 mm	25 mm	200 gm/m	7 m
H5250075/30 m	7.5 mm	3.5 mm	14.5 mm	25 mm	200 gm/m	30 m
H5250095/7 m	9.5 mm	3.6 mm	14.5 mm	40 mm	210 gm/m	7 m
H5250095/30 m	9.5 mm	3.6 mm	14.5 mm	40 mm	210 gm/m	30 m

Heater Hose

Heater Hose has been specially developed for vehicle coolant systems and has a safety factor of 3:1. It is suitable for use over a temperature range of -40°C to +100°C. The hose is manufactured from a rubber and EPDM blend and is twin braided spiral wrap reinforced, conforming to SAE 20 R3. It is weather resistant and impervious to coolant system additives. It is **not** suitable for use with petrochemical properties.

Working pressure: 6 Bar
0.6 Mpa

Part no.	I.D	Wall Thickness	O.D	Bend Radius	Weight	Length
H4801080/30 m	8 mm	3.0 mm	14.0 mm	40 mm	200 gm/m	30
H4801095/25 m	9.5 mm	3.75 mm	17.0 mm	50 mm	220 gm/m	25 m
H4801095/50 m	9.5 mm	3.75 mm	17.0mm	50 mm	220 gm/m	50 m
H4801095/100 m	9.5 mm	3.75 mm	17.0mm	50 mm	220 gm/m	100 m
H4801127/15 m	12.7 mm	3.4 mm	19.5 mm	50 mm	240 gm/m	15 m
H4801127/50 m	12.7 mm	3.4 mm	19.5 mm	50 mm	240 gm/m	50 m
H4801127/100 m	12.7 mm	3.4 mm	19.5 mm	50 mm	240 gm/m	100 m
H4801160/15 m	16 mm	3.4 mm	22.8 mm	80 mm	290 gm/m	15 m
H4801160/50 m	16 mm	3.4 mm	22.8 mm	80 mm	290 gm/m	50 m
H4801160/100 m	16 mm	3.4 mm	22.8 mm	80 mm	290 gm/m	100 m
H4801191/15 m	19 mm	3.6 mm	26.3 mm	100 mm	360 gm/m	15 m
H4801191/50m	19 mm	3.6 mm	26.3 mm	100 mm	360 gm/m	50 m

HOSE

Brake Vacuum Hose

Brake Vacuum Hose is designed to transmit manifold vacuum in automotive power assisted braking systems. It is manufactured from neoprene and reinforced with rayon. Manufactured to SAE J 1403 it is resistant to oil, petrol, heat and weather.

Vacuum Tested to: 87%



Part no.	I.D	Wall Thickness	O.D	Bend Radius	Weight	Length
H4205095/7 m	9.5 mm	4.0 mm	17.5 mm	30 mm	252 gm/m	7 m
H4205095/30 m	9.5 mm	4.0 mm	17.5 mm	30 mm	252 gm/m	30 m
H4205120/7 m	12.5 mm	4.0 mm	20.0 mm	30 mm	299 gm/m	7 m
H4205120/30 m	12.5 mm	4.0 mm	20.0 mm	30 mm	299 gm/m	30 m

Fuel Hose

Fuel Hose is designed to carry automotive fuel and is designed to operate in temperatures ranging from -30°C to +100°C. The hose is dual spiral wrap reinforced and conforms to SAE 30 R6. It has a safety factor 5:1

Working Pressure: 6 Bar
0.6 Mpa

Part no.	I.D	Wall Thickness	O.D	Bend Radius	Weight	Length
H3111048/7 m	4.8 mm	3.0 mm	10.8 mm	15 mm	110 gm/m	7 m
H3111048/30 m	4.8 mm	3.0 mm	10.8 mm	15 mm	110 gm/m	30 m
H3111063/7 m	6.3 mm	3.2 mm	12.7 mm	20 mm	140 gm/m	7 m
H3111063/30 m	6.3 mm	3.2 mm	12.7 mm	20 mm	140 gm/m	30 m
H3111063/100 m	6.3 mm	3.2 mm	12.7 mm	20 mm	140 gm/m	100 m
H3111079/7 m	7.9 mm	3.4 mm	14.7 mm	25 mm	160 gm/m	7 m
H3111079/30 m	7.9 mm	3.4 mm	14.7 mm	25 mm	160 gm/m	30 m
H3111079/100 m	7.9 mm	3.4 mm	14.7 mm	25 mm	160 gm/m	100 m
H3111095/7 m	9.5 mm	3.6 mm	16.7 mm	40 mm	210 gm/m	7 m
H3111095/30 m	9.5 mm	3.6 mm	16.7 mm	40 mm	210 gm/m	30 m
H3111095/100 m	9.5 mm	3.6 mm	16.7 mm	40 mm	210 gm/m	100 m
H3111127/7.5 m	12.7 mm	3.8 mm	20.7 mm	50 mm	257 gm/m	7.5 m
H3111127/30 m	12.7 mm	3.8 mm	20.7 mm	50 mm	257 gm/m	30 m
H3111110/7 m	11.0 mm	3.6 mm	18.2 mm	45 mm	236 gm/m	30 m
H3111110/30 m	11.0 mm	3.6 mm	18.2 mm	45 mm	236 gm/m	30 m
H3111110/100 m	11.0 mm	3.6 mm	18.2 mm	45 mm	236 gm/m	100 m

HOSE

Outer Braided

Braided Fuel Hose is designed for use on any European vehicles and motor cycles. The tube is manufactured from a nitrile based rubber and it is encased in an outer braiding of non-conductive black cotton. It is resistant to oil and petrol and conforms to Spec. DIN 733379 TYPE B.

Length: 15 Metres



Part no.	I.D	Wall Thickness	O.D	Bend Radius	Weight	Length
H506055/15 m	5.5 mm	2.5 mm	10.5 mm	20 bar	94 gm/m	15 m
H506075/15 m	7.5 mm	2.5 mm	12.5 mm	30 bar	114 gm/m	15 m
H506095/15 m	9.5 mm	2.5 mm	14.5 mm	40 bar	135 gm/m	15m

LPG Vapour House

LPG Vapour Hose is specifically designed to can vapours from automotive LPG conversions. The hose is manufactured from neoprene based tube and is encased in a braided cotton outer reinforcement. It is oil and petrol resistant.

Length: 20 metres

Working Pressure: 10 Bar
1 Mpa



Part no.	I.D	Wall Thickness	O.D	Bend Radius	Weight	Length
H2601120/20 m	12 mm	3.2 mm	18.4 mm	60 bar	20 gm/m	20 m
H2601170/20 m	17 mm	3.5 mm	23.4 mm	80 mm	20 gm/m	20 m
H2601190/20 m	19 mm	3.5 mm	26.0 mm	90 mm	20 gm/m	20 m
H2601250/20 m	25 mm	4.5 mm	34.0 mm	100 mm	20 gm/m	20 m

HOSE

Power Steering Hose

Power Steering Return Hose is designed specifically as low pressure side return hose for vehicle power steering systems. It is manufactured from a nitrile inner reinforced with polyester and covered with a neoprene outer that is resistant to oil, fuel and heat. Its operating temperature range is -40°C to +121°C with a working pressure of 14.5Kpa (100psi) and a safety factor of 4:1 Manufactured to SAE J 189 Spec.

Working pressure: 14.5 Bar
1.45 Mpa



Part no.	I.D	Wall Thickness	O.D	Bend Radius	Weight	Length
H5130079/7 m	7.9 mm	4.0 mm	16.0 mm	25 bar	224 gm/m	7 m
H5130079/30 m	7.9 mm	4.0 mm	16.0 mm	25 bar	224 gm/m	30 m
H5130100/7 m	10 mm	4.0 mm	16.0 mm	40 bar	242 gm/m	7 m
H5130100/30 m	10 mm	4.0 mm	16.0 mm	40 bar	242 gm/m	30 m

Transmission Cooler Hose

Transmission Cooler Hose is suitable for use with modern automatic transmissions. It is manufactured from oil and weather resistant material incorporating dual spiral reinforcement and can withstand temperatures ranging from -40°C to +135°C. This hose is manufactured to SAE 30 R6 Spec.

Working Pressure: 12 Bar
1.2 Mpa



Part no.	I.D	Wall Thickness	O.D	Bend Radius	Weight	Length
H311T079/7 m	7.9 mm	3.4 mm	14.7 mm	25 mm	160 gm/m	7 m
H311T079/30 m	7.9 mm	3.4 mm	14.7 mm	25 mm	160 gm/m	30 m
H311T079/100 m	7.9 mm	3.4 mm	14.7 mm	25 mm	160 gm/m	100 m
H311T095/7 m	9.5 mm	3.6 mm	16.7 mm	40 mm	210 gm/m	7 m
H311T095/30 m	9.5 mm	3.6 mm	16.7 mm	40 mm	210 gm/m	30 m
H311T095/100 m	9.5 mm	3.6 mm	16.7 mm	40 mm	210 gm/m	100 m

HOSE MERCHANDISERS

Automotive Hose



Size: 720mm x 970mm x 220mm

Colour: Grey

- This attractive Automotive Hose Merchandiser is designed to increase your sales of hose product. It is robustly made; powder coated steel cabinet which will last for years.
- It is designed to hold 12 spools of hose covering four different hose types and can be displayed as a free standing unit or can be wall mounted.
- Among its many features are metric and imperial measuring scales, front loading of stock and bold marking of hose type and sizing.

Products Included

1 Roll of Brake Vacuum Hose – 9.5mm x 7.5m

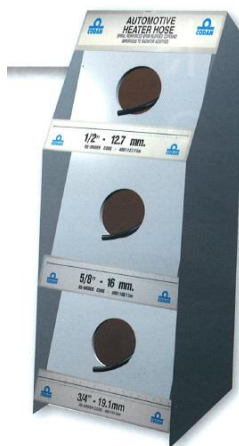
2 rolls of Transmission Cooler Hose – 7.9mm x 7.5m

1 roll of Fuel Hose (7.5m) – 4.8mm, 6.3mm, 7.9mm & 9.5mm

1 roll of Washer and Vacuum Hose (15m) – 2.5mm, 3.0mm, 4.0mm, 5.5mm & 6.3mm

Part No: HPCH001-G

Heater Hose



Size: 480mm x 1200mm x 430mm

Colour: Grey

The Heater Hose Merchandiser is dedicated to automotive heater hose and is a strongly built, powder coated, freestanding cabinet that looks attractive in a retail surrounding. It comes with stock of the three most popular heater hose sizes and features easy front-loading, metric and imperial measuring scales and hold, easy to read size markings.

Products Included:

1 roll of Heater Hose (15m) – 12.7mm, 16.0mm & 19.1mm

Part No: HPCH002-G

TUBING

Radiator Overflow

Radiator Overflow Tubing is suitable for radiator overflow and header tank applications. It is manufactured from EPDM rubber and will withstand radiator temperatures and pressures as well as vacuum. It is weather, oil and radiator additive resistant.

Length: 15 metres



We also stock Radiator Overflow Tubing Pressurised, this is for use with closed pressurised cooling systems.

Part no.	I.D	Wall Thickness	O.D
H3300079/15m	8.0 mm	2.0 mm	12.0 mm
H3300095/15m	8.0 mm	2.0 mm	14.0 mm

Part no	I.D	Working Pressure		Length
		Bar	Mpa	
H4801080/30m	8.0 mm	10	1.00	30

Vacuum & Washer

Vacuum and Washer Tubing is designed for use in windscreen washer systems and vacuum operated controls. It is manufactured from EPDM rubber and will withstand the pressure exerted by windscreen washer systems and control system vacuum. It is heat and weather resistant.

Length: 15 metres



Part no.	I.D	Wall thickness	O.D
H3300025/15m	2.5 mm	2.0 mm	6.5 mm
H3300030/15m	3.0 mm	2.0 mm	7.0 mm
H3300040/15m	4.0 mm	2.0 mm	8.0 mm
H3300045/15m	4.5 mm	2.0 mm	8.5 mm
H3300055/15m	6.0 mm	2.0 mm	10.0 mm
H3300063/15m	6.5 mm	2.0 mm	10.5 mm

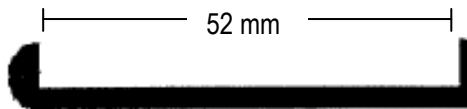
BRACKET STRAPS



BS25



BS50



BS52



BS54



BS75

SCALE 1:1

TANK STRAPS



TS20



TS 45



TS25



TS 50



TS35



TS 52



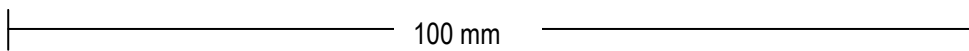
TS40



TS 63



TS 75



TS100

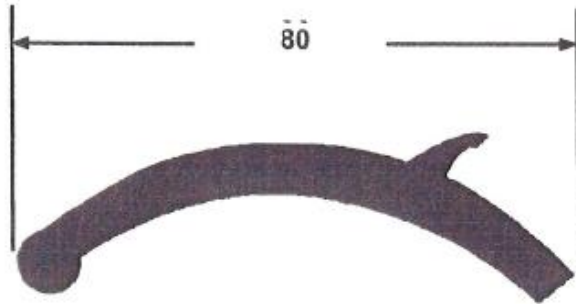
SCALE 1:1

WHEEL ARCH FLARES

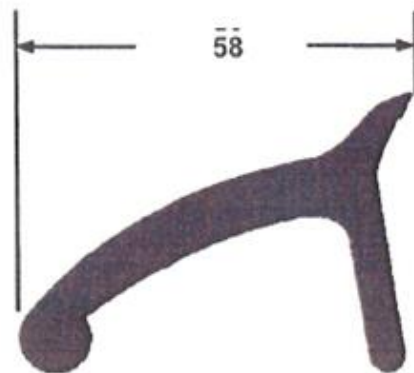
Material: EPDM ozone and UV stable

Size: 30 Metre Coils

Rolled to suit wheel arch curves



F001



F002

WHEEL CHOCKS

Material: Tough abrasion resistant rubber UV resistant

Chocks can also be supplied with rope or chain for easy handling



WHEEL CHOCKS

Small wheel chocks are suitable for passenger vehicles and other smaller vehicles

Large wheel chocks are suitable for trucks, buses, planes, large rolls of paper etc



Z405
Weight: 1kg
Length: 205 mm
Width: 130 mm
Height: 100 mm



Z406
Weight: 2kg
Length: 205 mm
Width: 205 mm
Height: 105 mm



Z407
Weight: 1kg
Length: 205 mm
Width: 130 mm
Height: 100 mm



Z408
Weight: 2.5kg
Length: 205 mm
Width: 130 mm
Height: 100 mm

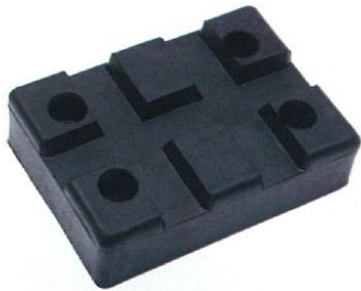


Z409
Weight: 2.5kg
Length: 250 mm
Width: 90 mm
Height: 150 mm



Z410
Weight: 3kg
Length: 205 mm
Width: 105 mm
Height: 90 mm
Rope Length: 900 mm

RUBBER HOIST PADS



Rubber Hoist Pad to suit Bishamon
RKN40NW, NSA30, NSP30 Hoists
No Screws Included

HP001



Rubber Hoist Pad to suit Tecalet
V15100 & 3000 series

HP002



Rubber Hoist Pad to suit 2 & 3 Hole
Powerrex 2900F 2900FR Hoists
Screws not included

HP003



Rubber Hoist Pad to suit Bishamon
SPW3000, SPW2500 Hoists
Screws Not Included

HP004



Rubber Hoist Pad to suit Molnar
MF17505-85A-3T, 95A-3T & 4T Hoists

HP005